

# HEUER Compact-Set

**NEW**

HEUER  
Quicklaunch



**The HEUER Compact with  
quick adjustment HEUER  
Quicklaunch in a new  
practical suitcase set**

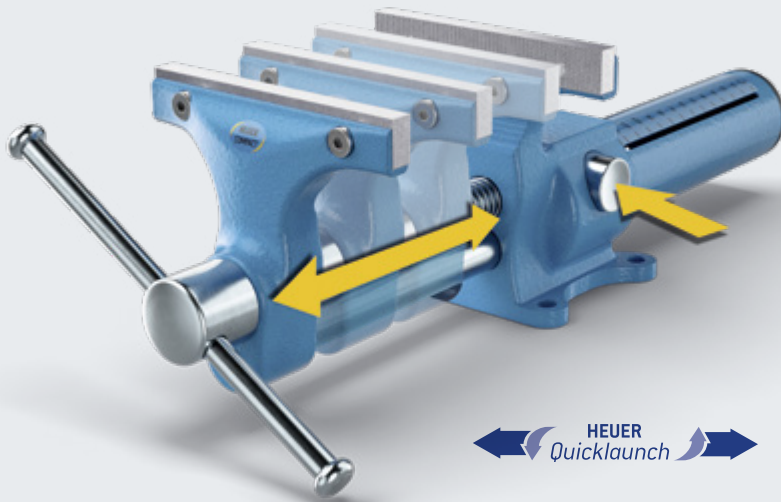
**BROCKHAUS** **HEUER**  
GmbH

Oestertalstraße 54  
58840 Plettenberg (Germany)  
Phone: +49 (0) 23 91 / 60 29-0  
Fax: +49 (0) 23 91 / 60 29-29  
info@heuer.de  
www.heuer.de

Illustrations not colour matched, colour variations possible. Technical alterations subject to change without notice.

# HEUER Compact-Set

The new HEUER compact with quick adjustment  
HEUER Quicklaunch in a practical suitcase set.



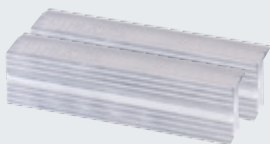
HEUER Quicklaunch



Completely new, absolutely innovative: the new HEUER Compact with quick adjustment Heuer Quicklaunch. Can be set stagelessly up to 125mm span.

The mounted table clamp makes the HEUER Compact extremely mobile. Can be mounted on working plates up to 60mm thick.

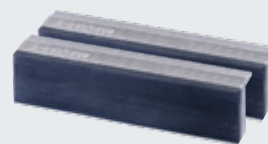
Included in the set: HEUER magnetic protective jaws. The right span for any workpiece:



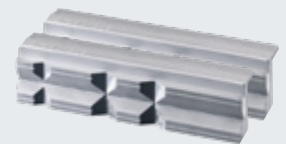
Type N (Neutral)  
For coarse to medium fine worked work pieces.



Type F (Fibre)  
For work pieces with finely milled, ground or polished surfaces.

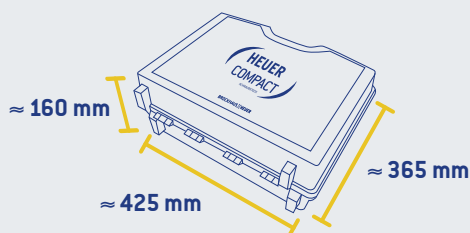


Type G (Rubber)  
For thin walled pipes and pre-cut blanks as well as wood and plastic pieces.



Type P (Prisms)  
For work pieces in the most diverse shapes.

Ready in an instant: the compact suitcase set offers maximal mobility and functionality.



Weight of suitcase set: **8,2 kg**    **Item No. 118 003**

## Advantages at a glance:

- + Mobile, portable solution
- + Ready to use in an instant due to mounted table clamp
- + Quick clamping of the most diverse sizes of workpiece without winding the spindle for a long time
- + Flexible due to useful accessories
- + Large 120mm span with compact, light shape with large deep clamping possibility
- + Ideal for engineers and tool gear truck solutions