

Compact
GRIP FORCE
small, fast, flexible

BROCKHAUS **HEUER**
GmbH

Oestertalstraße 54
58840 Plettenberg (Germany)
Phone: +49 (0) 23 91 / 60 29-0
Fax: +49 (0) 23 91 / 60 29-29
info@heuer.de
www.heuer.de

Illustrations not colour matched, colour variations possible. Technical alterations subject to change without notice.

HEUER Compact

With revolutionary HEUER Quicklaunch

At a weight of just 4.8 kg and with a robust 10 kN clamping force, it is the lightweight choice in its class. Like others in its class, the HEUER Compact 2.0 – the improved version of the proven HEUER Compact – offers outstanding clamping depth and is easy to expand with multiple accessory options from Brockhaus Heuer. The anvil surface has been enlarged by 25% compared to the previous model.

The HEUER Compact got its name thanks to its highly efficient design, which focuses on ensuring the best possible function while maintaining the high level of Brockhaus HEUER quality our customers expect.

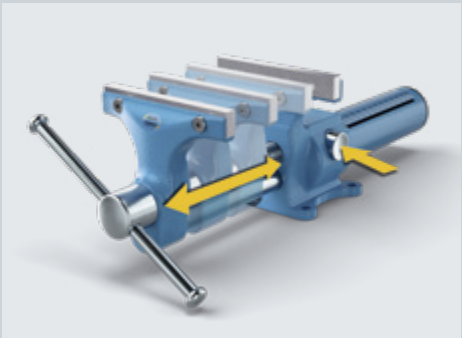
HEUER Quicklaunch

The highlight of the portfolio is the all-new, revolutionary quick adjustment function: HEUER QUICKLAUNCH. It can be used to adjust the HEUER Compact at lightning speed with the push of a button, even with large differences in clamping depth – from 0 to 125 mm in 3 seconds, without activating the tongue. The opening width indicator helps with presetting. The play of the spindle, which is required for optimal quick adjustment, does not influence the parallelism of the jaws during clamping.

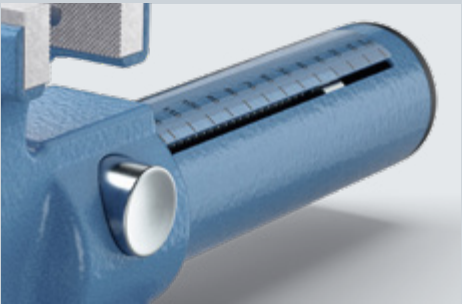
The exchangeable, reversible jaws with smooth and grooved clamping surfaces,

provide even more flexibility. The HEUER Compact 2.0 has integrated, grooved tube clamping jaws in the front and rear jaw. Smart extensions are also available, such as the HEUER Table Clamp 100 or HEUER Rotary Clamp 100 and a large selection of magnetic protective jaws for specific applications.

The HEUER Compact 2.0 – our multi-talented vice, in a mobile format.



Width of jaw/mm	Span width/mm	Span depth/mm	Min.+max. pipe-gripping jaw span-Ø/mm	max. Spannkraft/kN	Approx. Weight/kg	Item No. Compact
120	125	65	15-50	10	4,8	118 001



Width of jaw/mm	Item No. Spare jaws illustration S. 13
120,5	116 120